



Factory Service Bulletin

2500 WALDEN AVENUE, BUFFALO, N.Y. 14225 (716) 681-7242
p/a WAALHAVEN Z.Z. 48, 3088 H.J. ROTTERDAM, THE NETHERLANDS

SUBJECT: MEMORYMOOG NOISE SOURCE Kit Part Number 997-044697-001 **BULLETIN:** 842A

DATE: January 18, 1984

SYMPTOM: Standard noise source exhibits a cyclic "heartbeat" sound.

CAUSE: Inherent design of the 5837 Noise Source integrated circuit. New 5437 IC significantly lengthens the time between cycles.

CURE: FOR UNITS WITH MONO BUFFER BOARD DO THE FOLLOWING:

Remove the buffer board using the IC location shown on the Buffer Board and cut traces leading to pins 2, 4 and 7. Jumper pins 3 and 6 to pin 8. Cut (3) three 5.5 inch (140mm) jumper wires. Solder all wires from the trace side of the Buffer Board as outlined in the table below to the 8 pin Dip Header and thread them through the unused hole in the buffer board for strain relief:

Color	Buffer Board Connector	U25 DIP Header	Function
Blue	Pin 1	Pin 3	Output
Black	Pin 4	Pins 1 & 2	Ground
Red	Pin 3	Pin 4	V+

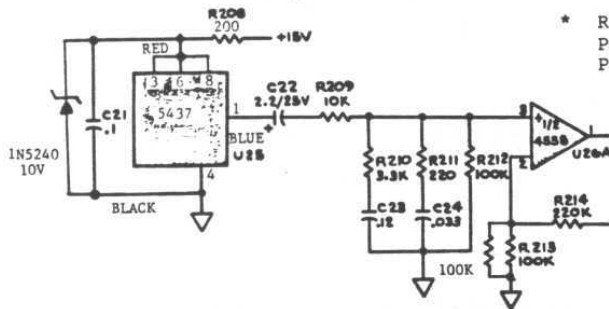
Solder the 5437 into the buffer board.

Remove U25 (5837) from the Common Analog Board and insert 8 pin DIP header (Pin 1 - black wire). Mount the buffer board to the Common Analog Board.*

UNITS WITHOUT BUFFER BOARD MODIFICATION:

Mount the Buffer Board from the kit as shown. Remove U25 (5837) from the common Analog and insert the 8 pin DIP header in which pin 1 is the black wire. An excerpt from Bulletin 840 is included to add the MONO filter tracking if desired by the customer.

LABOR: This is a non-warranty update especially desirable for studio musicians. The estimated installation time for the noise source alone is 15 minutes. With the MONO filter tracking update, add an additional 30 minutes.



* Replace R208 with 200 ohm 1/4 watt resistor. Parallel C21 with 500 milliwatt 10V zener 1N5240. Parallel R213 with a 100K 1/4 watt resistor.



Synthesizers



Amplifiers



Sound Modifiers



Accordions



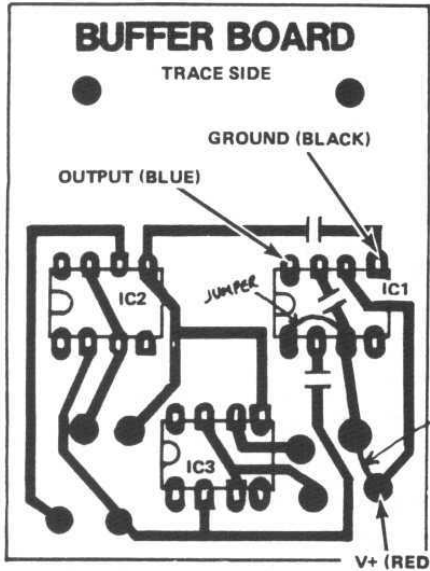
Amplifiers



Amplifiers



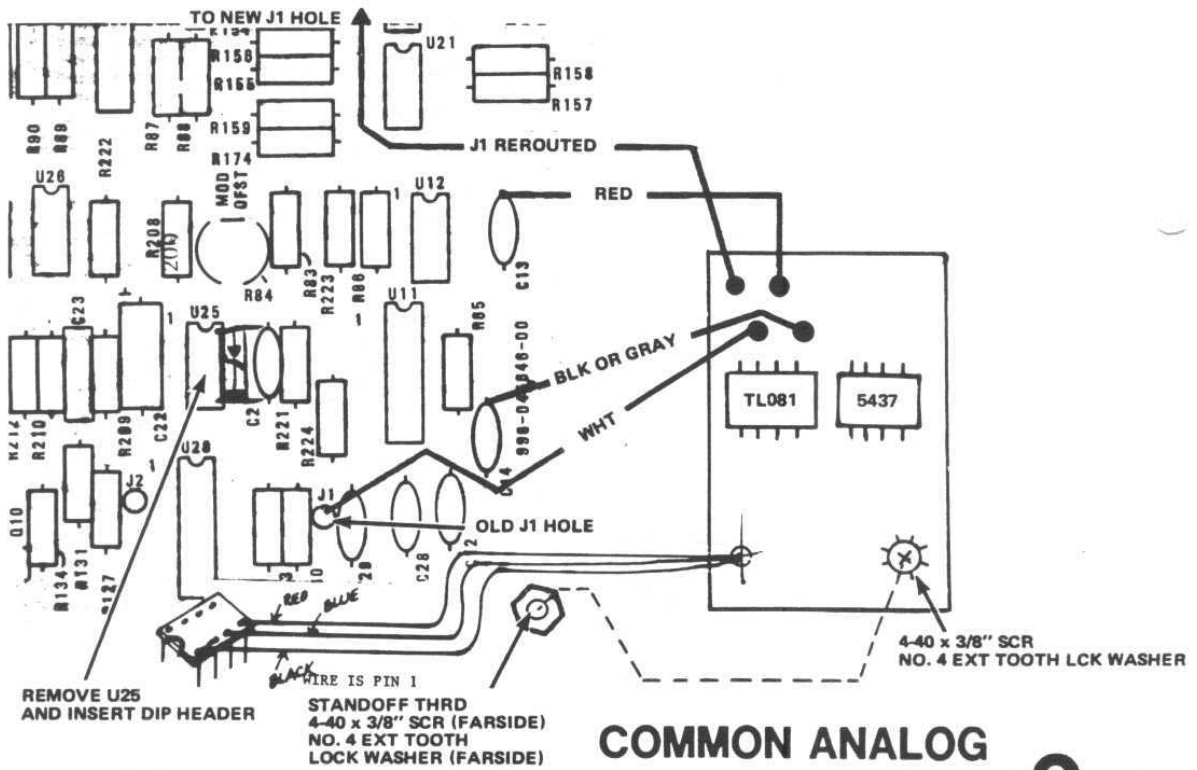
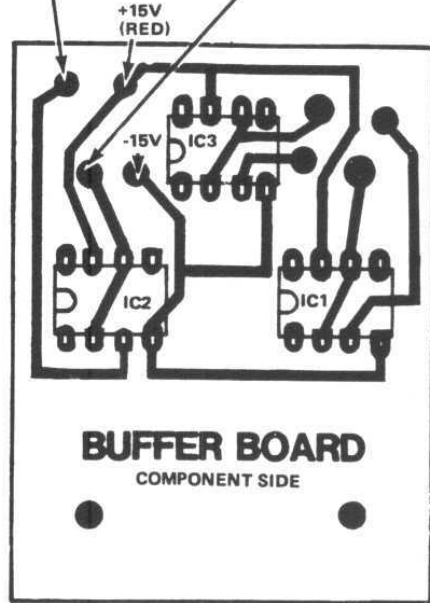
Amps.



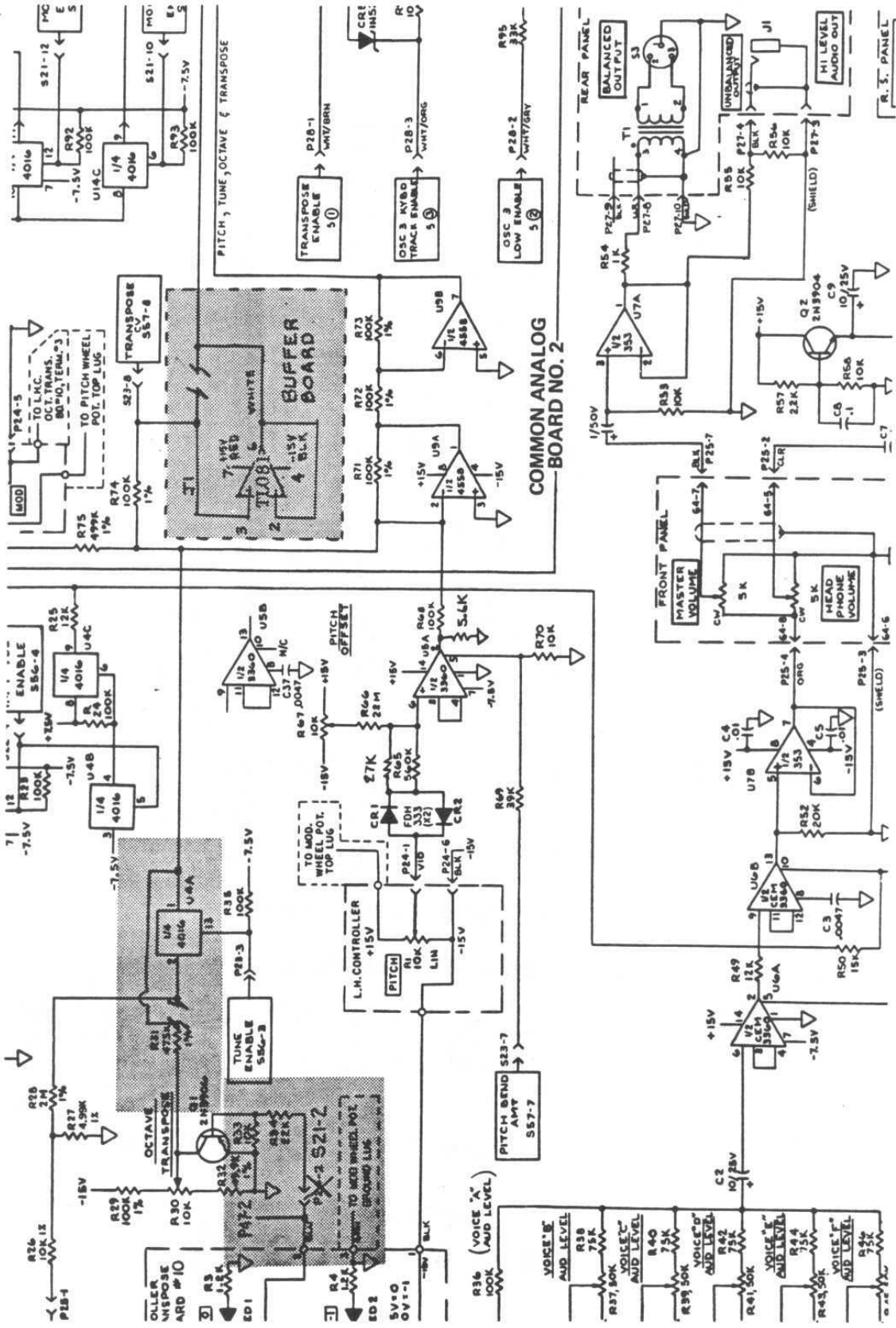
== DENOTES TRACE CUT

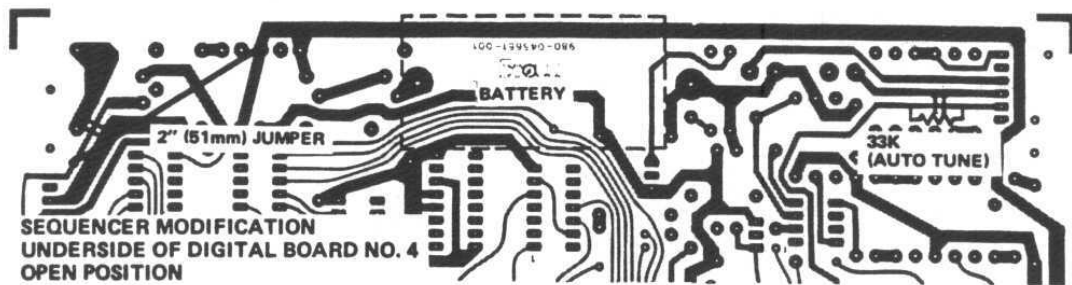
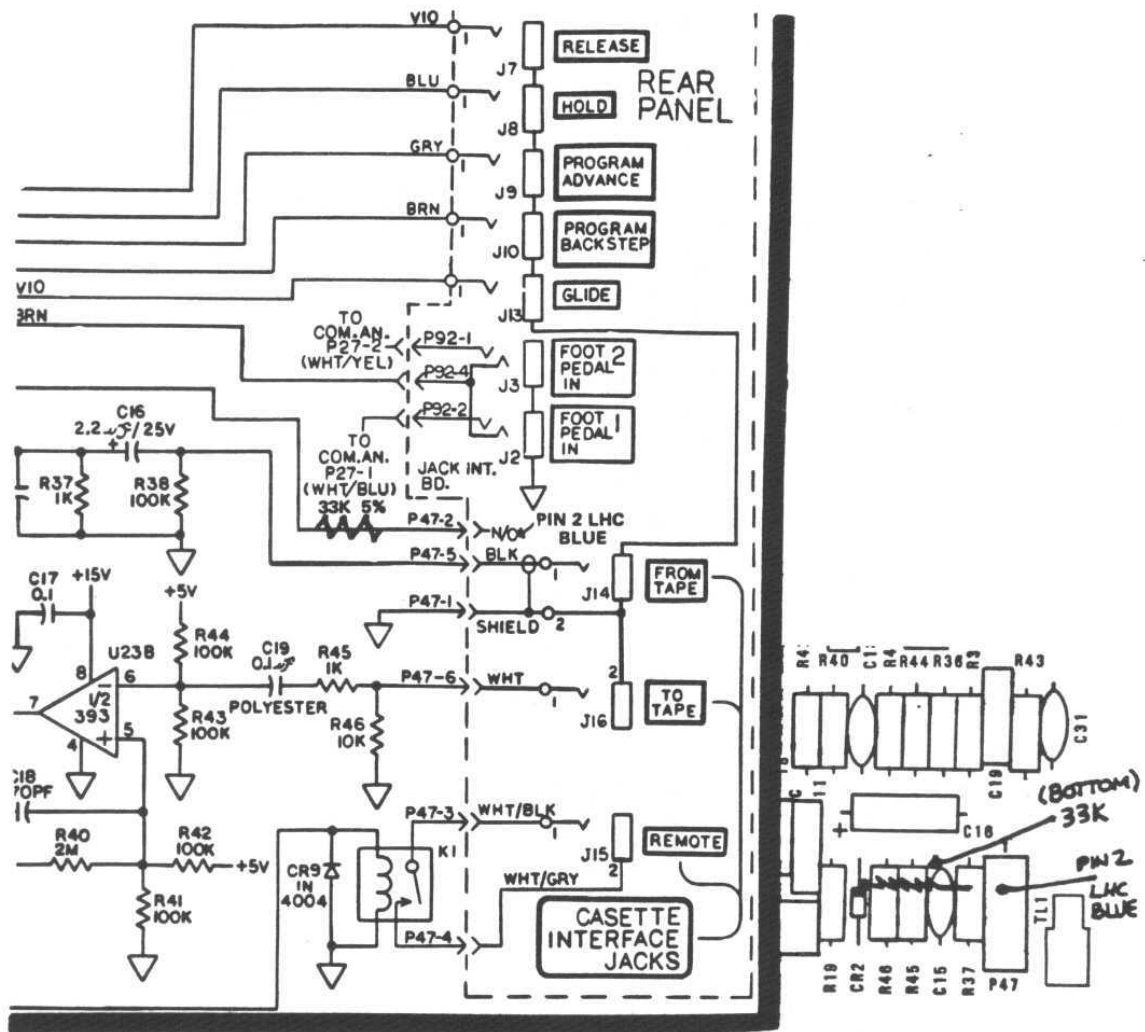
UNSOLDER J1 FROM FRONT EDGE OF C/A BOARD AND ATTACH HERE

TO OLD J1 HOLE ON FRONT EDGE OF C/A BOARD AND SOLDER +/- 15 AS SHOWN



COMMON ANALOG MEMORYMOOG 2





DIGITAL MEMORY MOOG 4

☐ DENOTES TRACE CUT